



---

*WEST TEXAS*  
**WT**  
*SLAM N' JAM*

**JUNE 28-29, 2014**

*First United Bank Center  
Canyon, TX*



**JUNE 28-29, 2014**

---

# *WEST TEXAS SLAM N' JAM*



**Dear Coach,**

Greetings from beautiful Canyon, Texas! We hope this note finds you and your team doing well as we are in the summer months. As the tournament date vastly approaches, West Texas A&M Mid-America Youth Basketball Slam N' Jam would like to personally welcome you and thank-you for choosing our tournament to attend this year. We are excited about the competition of this year's tournament and know that your players will gain valuable playing experience.

We have included more detailed information about the Slam N' Jam on the following pages. We ask that you do two things while here in Canyon. The first is that you don't hesitate to contact us if you have any questions or concerns. Our second request is that you enjoy yourself. This should be an exciting weekend, and we want to do everything possible to assure you and your players have a great visit here at West Texas A&M University and in Canyon, TX.

In short Coach, we are here for you this weekend!

Sincerely,

A handwritten signature in black ink that reads 'Mark Kellogg'.

Mark Kellogg  
Head Coach  
West Texas A&M Women's Basketball

Kristen Mattio  
Assistant Coach  
(806) 651-2917  
Cell (806) 376-0865



**Restaurant Info.**

# WEST TEXAS SLAM N' JAM

## **AREA RESTAURANTS**

### **Canyon Area Dining:**

Feldman's Wrong Way Diner (17th St. & 5th Ave.)  
Wendy's (407 23rd St.)  
McDonald's (200 S. 23rd St.)  
Subway (204 S. 23rd St.)  
Taco Bell (611 23rd St.)  
La Bella (700 23rd St.)  
Napoli's Italian (2301 23rd St.)  
Taco Villa (101 N. 23rd St.)  
Schlotzky's Deli (901 23<sup>rd</sup> Street)

### **Amarillo Area Dining:**

Buffalo Wild Wings (5416 S. Coulter St.)  
The Big Texan Steak Ranch (7701 E. Interstate 40)  
Chop Chop Japanese Steakhouse (3300 S. Coulter St.)  
Gatti's Pizza (3605 SW 45th Ave.)  
Home Plate Diner (5600 Bell St.)  
La Frontera (1401 S. Arthur St.)  
Rosa's Cafe and Tortilla Factory (4312 SW 45th Ave.)  
I-Hop (2100 S. Western)  
Olive Garden (4121 Interstate 40 West)  
Carino's Italian Grill (8460 Interstate 40 West)  
Jimmy Johns Gourmet Sandwiches (2330 Soncy Rd.)  
Cheddars Casual Café (3901 Interstate 40 W)  
McAlister's Deli (8605 SW 34)



## Travel Info.

<b>AMARILLO HOTELS</b>	<u>Fairfield Inn &amp; Suites East</u>	<u>Homewood Suites</u>
<u>Amarillo Courtyard by Marriott West</u>	<u>Fifth Season Inn</u>	<u>La Kiva Hotel</u>
<u>Amarillo Courtyard Downtown</u>	<u>Hampton Inn Amarillo East</u>	<u>Motel 6 West</u>
<u>Ashmore Inn &amp; Suites</u>	<u>Hilton Garden Inn</u>	<u>Residence Inn Marriott</u>
<u>Best Western Inn Sante Fe</u>	<u>Holiday Inn Amarillo</u>	<u>Sleep Inn &amp; Suites W. Medical Center</u>
<u>Best Western Medical Center Inn</u>	<u>Holiday Inn Amarillo W. Medical Center</u>	<u>Sleep Inn Airport</u>
<u>Comfort Inn &amp; Suites (Soncy)</u>	<u>Holiday Inn Express &amp; Suites South</u>	<b>CANYON HOTELS</b>
<u>Country Inn &amp; Suites</u>	<u>Holiday Inn Express &amp; Suites East</u>	<u>Holiday Inn Express</u>
<u>Fairfield Inn</u>	<u>Holiday Inn Express &amp; Suites West</u>	<u>Best Western</u>

### First United Bank Center Address:

**3301 4th Avenue  
Canyon, TX 79016**

### The Box:

**Directly across the street from Pizza Hut & the Donut Stop.  
On 23<sup>rd</sup> Street**



## Fan Info.

*Summer tournaments have a 5 game minimum. We will attempt to schedule all games within a few hours of each other to avoid long layoffs, but this is not always possible. Please have grade cards for players available.*

### Admission Fees:

- ✿ Adults \$6 daily/ \$10 weekend pass (both are good at all gyms)
- ✿ Students (18 and under) \$4 daily/\$7 weekend pass
- ✿ Children under 5 are admitted FREE!
- ✿ All teams will get a total of TWO (2) passes, which can be used for coaches, managers, scorekeepers, etc. **Admission fees will be charged for any additional team personnel.**

### Concessions:

- ✿ Concessions will be provided and a full service concession stand with food, drinks, and t-shirts, will be located in the Arena  
**No outside food or drinks will be allowed inside any of the facilities (except for water).**

### Scorekeeping:

Each team is required to provide a scorekeeper or clock operator for each game. We have had great success with this. Thank you for your continued help in this area.

### Tournament Rules:

**Complete tournaments rules will be provided on all scorers' tables and at the admission table.**

Below are a few rules to keep in mind:

- ◆ Games will be two (2) 20 minute halves. It is a running clock, except for the last two minutes of BOTH halves. Clock will not stop if there is a 15 point or greater lead at any point after halftime.
- ◆ Coaches get four (4) timeouts per game (all 30 seconds), which can be used at any time
- ◆ If tiebreakers cannot be decided from head-to-head competition, they will be decided by total points allowed among the teams engaged in the tie-break process only.
- ◆ Texas High School rules apply. Coaches and/or players ejected from contests will miss, at a minimum, the next game and possibly more at the director's discretion.

# 7th/8th GRADE BOYS

<u>Pool A</u>	<u>W</u>	<u>L</u>	<u>Pool B</u>	<u>W</u>	<u>L</u>
1. NM Force 14U			4. Dream Team Robertson		
2. NM Select (Carter)			5. Panhandle Vengeance		
3. Zags			6. Texas Thunder		

All teams advance to a seeding round on Saturday

**Ct 1, 2 and 3 at the First United Bank Center – 4<sup>th</sup> Avenue in Canyon, TX**

**Ct 4 is at the Box - 101 23rd Street, Canyon, TX 79106**

## Seeding Round

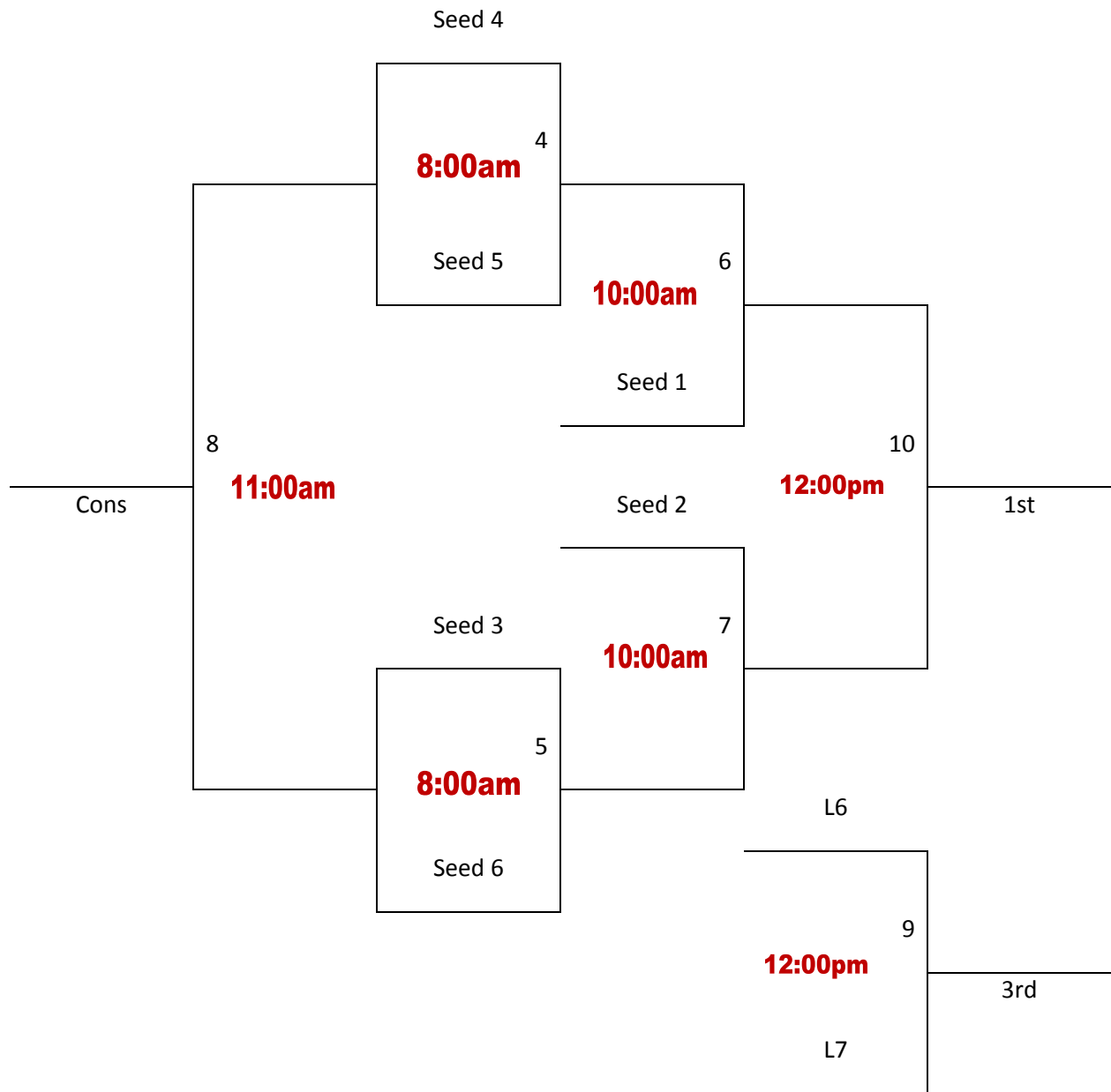
**Game 1:** SEED #1 POOL A VS SEED #1 POOL B      Winner gets 1st seed, Loser gets 2nd seed

**Game 2:** SEED #2 POOL A VS SEED #2 POOL B      Winner gets 3rd seed, Loser gets 4th seed

**Game 3:** SEED #3 POOL A VS SEED #3 POOL B      Winner gets 5th seed, Loser gets 6th seed

Saturday	Ct 1 FUBC	Ct 2 FUBC	Ct 4 THE BOX
9:00	1-2	4-5	-
10:00	-	-	-
11:00	1-3	4-6	-
12:00	-	-	-
1:00	2-3	5-6	-
2:00	-	-	-
3:00	-	-	-
4:00	-	-	-
5:00	G1	G2	G3
6:00	-	-	-
Sunday	Ct 1 FUBC	Ct 2 FUBC	Ct 4 THE BOX
8:00	G4	G5	-
9:00	-	-	-
10:00	G6	G7	-
11:00	-	G8	-
12:00	G10	G9	-
1:00	-	-	-
2:00	-	-	-

# 7th/8th GRADE BOYS



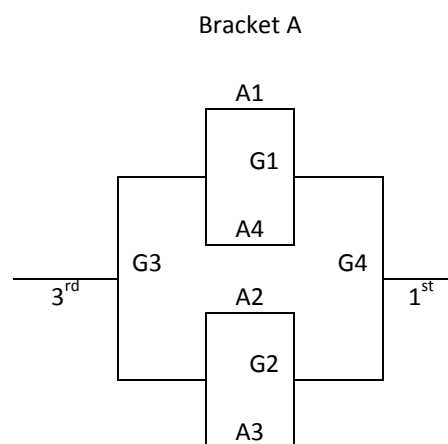
# 3rd GRADE GIRLS

<u>Pool A</u>	<u>W</u>	<u>L</u>
1. Amarillo GameTime		
2. Lady Blaze		
3. Lady Heat		
4. Rumble		

**Ct 1, 2 and 3 at the First United Bank Center – 4<sup>th</sup> Avenue in Canyon, TX**

**Ct 4 is at the Box - 101 23rd Street, Canyon, TX 79106**

Saturday	Ct 1 FUBC	Ct 2 FUBC	Ct 3 FUBC	Ct 4 THE BOX
9:00	-	-	-	-
10:00	-	-	-	-
11:00	-	-	-	-
12:00	-	-	-	-
1:00	-	-	-	-
2:00	-	-	-	-
3:00	1-2	3-4	-	-
4:00	-	-	-	-
5:00	-	-	-	-
6:00	-	-	1-3	2-4
7:00	-	-	-	-
8:00	-	-	1-4	2-3
9:00	-	-	-	-
Sunday	Ct 1 FUBC	Ct 2 FUBC	Ct 3 FUBC	Ct 4 THE BOX
8:00	-	-	-	-
9:00	G1	G2	-	-
10:00	-	-	-	-
11:00	-	-	G3	G4
12:00	-	-	-	-
1:00	-	-	-	-





# 4th/5th GRADE GIRLS

<u>Pool A</u>	<u>W</u>	<u>L</u>
1. Lubbock Blaze		
2. Next Level		
3. The Force		
4. Frankenstein		
5. Panthers		
6. Amarillo Dream		
7. Canyon Lady Eagles		

**Ct 1, 2 and 3 at the First United Bank Center – 4<sup>th</sup> Avenue in Canyon, TX**

**Ct 4 is at the Box - 101 23rd Street, Canyon, TX 79106**

Saturday	Ct 3 FUBC	Ct 4 THE BOX
9:00	1-6	3-4
10:00	-	-
11:00	5-6	1-7
12:00	-	-
1:00	4-6	2-5
2:00	-	-
3:00	1-3	2-7
4:00	-	-
5:00	4-5	-
6:00	-	-
7:00	4-7	2-3
Sunday	Ct 3 FUBC	Ct 4 THE BOX
8:00	1-2	5-7
9:00	-	-
10:00	2-4	3-6
11:00	-	-
12:00	1-5	6-7
1:00	-	-
2:00	3-5	1-4
3:00	-	-
4:00	2-6	3-7
5:00	-	-

# 7th/8th GRADE GIRLS

<u>Pool A</u>	<u>W</u>	<u>L</u>	<u>Pool B</u>	<u>W</u>	<u>L</u>
1. Canyon Thunder			6. Panhandle Vengeance		
2. Kirtland Fusion			7. Levelland Elite		
3. NM Storm			8. Synergy Elite		
4. Amarillo Lady Dragons			9. Lady Bulls		
5. Academy of Hoops			10. Ballerz		

**Games played at the First United Bank Center – 4<sup>th</sup> Avenue in Canyon, TX**

**Ct 4 is at the Box - 101 23rd Street, Canyon, TX 79106**

Saturday	Ct 1 FUBC	Ct 2 FUBC	Ct 3 FUBC	Ct 4 THE BOX	
9:00	-	-	-	-	A1
10:00	-	-	3-5	1-4	4:00pm G1
11:00	-	-	-	-	1 <sup>st</sup>
12:00	-	-	-	-	B1
1:00	-	-	-	-	A2
2:00	2-5	1-3	8-10	6-9	4:00pm G2
3:00	-	-	-	-	3 <sup>rd</sup>
4:00	-	-	7-10	6-8	B2
5:00	-	-	-	-	A3
6:00	-	-	-	-	5:00pm G3
7:00	2-4	1-5	-	-	B3
8:00	-	-	-	-	A4
9:00	7-9	6-10	-	-	5:00pm G4
Sunday	Ct 1 FUBC	Ct 2 FUBC	Ct 3 FUBC	Ct 4 THE BOX	
8:00	-	-	-	-	B4
9:00	-	-	7-8	9-10	A5
10:00	-	-	-	-	5:00pm G5
11:00	-	-	-	-	B5
12:00	-	-	-	-	
1:00	-	-	2-3	4-5	
2:00	6-7	8-9	-	-	
3:00	-	-	1-2	3-4	
4:00	G1	G2	-	-	
5:00	G3	G4	G5	-	

# HIGH SCHOOL GIRLS

<u>Pool A</u>	<u>W</u>	<u>L</u>
1. Lady Assault		
2. Canyon		
3. Amarillo Blitz		
4. Amarillo Lady Mixx		
5. NM Lady Coyotes		
6. NM Sparks		
7. Comets		

**Games played at the First United Bank Center – 4<sup>th</sup> Avenue in Canyon, TX**

**Ct 4 is at the Box - 101 23rd Street, Canyon, TX 79106**

Saturday	Ct 1 FUBC	Ct 2 FUBC	Ct 3 FUBC	Ct 4 THE BOX
8:00	1-2	3-4	-	-
9:00	-	-	-	-
10:00	5-6	1-7	-	-
11:00	-	-	-	-
12:00	4-6	2-5	-	-
1:00	-	-	-	-
2:00	-	-	-	-
3:00	-	-	-	-
4:00	1-3	2-7	-	-
5:00	-	-	-	-
6:00	4-5	2-3	-	-
7:00	-	-	-	-
8:00	4-7	1-6	-	-
9:00	-	-	2-6	5-7
Sunday	Ct 1 FUBC	Ct 2 FUBC	Ct 3 FUBC	Ct 4 THE BOX
11:00	2-4	-	-	-
12:00	-	-	-	-
1:00	3-6	1-4	-	-
2:00	-	-	-	-
3:00	6-7	3-5	-	-
4:00	-	-	-	-
5:00	-	-	-	-
6:00	1-5	3-7	-	-

# GYM MASTER

**JUNE 28-29**

Saturday	United 1	United 2	United 3	THE BOX
8:00	HS G	HS G		
9:00	8B	8B	5G	5G
10:00	HS G	HS G	8G	8G
11:00	8B	8B	5G	5G
12:00	HS G	HS G	8G	8G
1:00	8B	8B	5G	5G
2:00	8G	8G	8G	8G
3:00	3G	3G	5G	5G
4:00	HS G	HS G	8G	8G
5:00	8B	8B	5G	8B
6:00	HS G	HS G	3G	3G
7:00	8G	8G	5G	5G
8:00	HS G	HS G	3G	3G
9:00	8G	8G	HS G	HS G
Sunday	United 1	United 2	United 3	THE BOX
8:00	8B	8B	5G	5G
9:00	3G	3G	8G	8G
10:00	8B	8B	5G	5G
11:00	HS G	8B	3G	3G
12:00	8B	8B	5G	5G
1:00	HS G	HSG	8G	8G
2:00	8G	8G	5G	5G
3:00	HS G	HSG	8G	8G
4:00	8G	8G	5G	5G
5:00	8G	8G	8G	
6:00	HS G	HS G		