

**SOONER STATE SHOWDOWN**  
**Norman, OK**  
**July 26-28, 2013**



We would like to invite you to participate in the MAYB Sooner State Showdown. We are pleased to announce that this year's tournament will be held in the Huston Huffman Center on the campus of the University of Oklahoma. Located at the foot of Memorial Stadium, you will not find a better multi-court facility to play basketball in than the Huffman Center. The best news is that the facility is air-conditioned. If you like to watch basketball, this will be a great weekend for you as all games will be played under one roof. If you were to come from start to finish you would see over a hundred games during the weekend tournament.

The tournament will be available to teams in the 3-12<sup>th</sup> grade. We are expecting a wide range of competition levels and will divide the grade divisions based on ability when possible. We are sure you will find this tournament to be very well run and extremely organized. Tournament directors will be available during the entire tournament to answer any questions you may have or to deal with any concerns that may come up during the weekend.

**3<sup>rd</sup> – 6<sup>th</sup> Grade Boys and 3<sup>rd</sup> – 8<sup>th</sup> grade Girls will play at:**

**Huston Huffman Center**  
**1401 Asp Avenue**  
**Norman, OK**  
<http://www.ou.edu/far>

**ATTENTION:**

All players playing at the Huffman Center will need to have a Minor's Release form filled out by parents – please see form below. Players will not be allowed to participate without this form filled out. Forms need to be given to the coach and handed in as a team at the arrival of the tournament!

**Teams playing at the Huffman Center will want to stay at Sooner Legends Hotel – See Flyer below for details!**

## **7<sup>th</sup> – 12<sup>th</sup> Grade Boys and High School Girls will play at:**

**Lighthouse Sports Complex  
3333 W. Hefner Rd  
OKC, OK 73120**

**Teams playing at the Lighthouse Sports Complex can stay at the Oklahoma City  
Comfort Inn – 7601 C.A. Henderson Boulevard – OKC, OK 73139  
405-631-3111**

**The Norman community** offers recreational, shopping and cultural experiences. Norman is the home of the 2000 NCAA Football Champions, 2000 Woman's Softball Champions, Sam Noble Oklahoma Museum of Natural History and Fred Jones, Jr. Museum of Art, historical Campus Corner, all located on the campus of the University of Oklahoma. Dine at one of our local restaurants Kendall's, Chili's, On The Border, City Bites, Charleston's, Joe's Crabshack, Santa Fe Steak House, Othello's, Taste of China and many more. Visit the Sooner Fashion Mall with Lerner's, American Eagle, The Gap, Abercrombie & Fitch, Stein Mart, Dillards, JC Penney's, Sears, Kirkland's, Victoria's Secret, The Limited and Limited Too, plus many more. Visit Norman's many antique stores or spend the night at one of our bed and breakfast inns. To learn more about Norman, Oklahoma visit the Norman Visitors and Convention Bureau website at [www.ncvb.org](http://www.ncvb.org). For more information about the University of Oklahoma, visit [www.ou.edu](http://www.ou.edu). Oklahoma City is a short 20 miles north of Norman. It features many fine eateries, shopping malls, Bass Pro Shop, Oklahoma Redhawks Semi-Pro Baseball team which plays at the Bricktown Ball Park, located in the historical Bricktown area ([www.bricktownokc.com](http://www.bricktownokc.com)), a newly renovated warehouse district. With river boat rides, Spaghetti Warehouse, Crabtown, Mickey Mantel Restaurant and much more. Oklahoma City has undergone a total renovation with the MAPS plan and we are very proud of the results! Please visit the OKC National Memorial, in which the tour guides are victims of the bombing either by loss of a loved one or personal injury. They will begin your journey through the horrific day on April 19, 1995 when 168 lives were lost due to terrorist attack by an American. To learn more about Oklahoma City visit [www.okccvb.org](http://www.okccvb.org).



**SOONER LEGENDS**  
**HOTEL • BAR • RESTAURANT**

**For Reservations**

**(405) 701-8100**

**www.soonerlegends.com**

**Mention: MAYBTIC**



**Mid-America Youth Basketball**

**Special Rate: \$89+tax Standard King or Double Queen Room**

**\*Includes 4 Hot Breakfast Buffets**

**\*Mention MAYBTIC when booking**

**Our breakfast buffet includes bacon, sausage, eggs, biscuits & gravy, pancakes, cereal, fresh fruit, coffee, juices, and milk.**

**Voted #1 Hotel in Norman**

**136 Guest Rooms & Suites \* 13" Pillow-Top Mattresses \* Goose-Down Comforters & Pillows \* Egyptian Cotton Sheets \* Flat Screen Televisions \* DVD Players \* Complimentary Wireless Internet \* Fitness Center \* Heated Outdoor Pool**

**Award Winning Restaurant \* Full Service Sports Bar  
Full Service Catering \* Banquet & Meeting Space**

**Located 1.5 mi from Huston Huffman Center at OU**

**For more information or any questions please contact  
Ashley Crews (405) 701-8100.**

# ***FITNESS + RECREATION***

## **ATTACHMENT B**

### **RELEASE FOR THE UNIVERSITY OF OKLAHOMA MINOR'S RELEASE AND ACKNOWLEDGEMENT OF RULES AND GUIDELINES**

This Release is executed and acknowledged on the \_\_\_\_\_ day of \_\_\_\_\_, 2013,

\_\_\_\_\_ of \_\_\_\_\_, \_\_\_\_\_

*(Minor's Name)*

*(Home Town)*

*(State)*

hereinafter referred to as "Releasor" or "Minor" for good and valuable consideration does for himself/herself and personal representatives, heirs, assigns and next-of-kin, and on behalf of Minor, hereby release, waive, forever discharge, indemnify and covenant not to sue the Board of Regents of the University of Oklahoma, its officers, members, employees, volunteers, agents and representatives, hereinafter collectively referred to as "Releasees," and agrees to hold harmless, defend and indemnify the same, for any and all loss, damages, claim, demand, action or right of action of whatsoever kind of nature, either in law or in equity, arising from or by reason of any personal injury, known or unknown, death and/or property damage resulting or to result from participation in **MAYB Sooner State Showdown 2013** on the University of Oklahoma Norman campus whether sponsored by The University of Oklahoma a or third party (collectively referred to as the "Activity" "Program" or "Camp").

I know the nature of the Activity and the Minor's experience and capabilities and consider Minor to be qualified to participate in the Activity. However, I acknowledge that there are certain risks of physical injury or illness associated with the Activity. Further, I recognize and acknowledge the potential risks and dangers involved in such an Activity and its related activities including travel and transportation associated with the Activity and any related field trips and other Program activities which may include personal injury, death, and/or property damage. I acknowledge and hereby state that Minor's participation in this Activity is entered into as a free and voluntary act and is in no way connected with any course credit or requirements of the Releasees. I acknowledge that I have read the OU rules stated herein or as otherwise advised at the time of the Activity, and as published on the University's websites, [www.judicial.ou.edu](http://www.judicial.ou.edu) and [www.ou.edu/home/misc.html](http://www.ou.edu/home/misc.html), and understand and agree to abide by all University and Activity rules and policies. Failure to comply with these rules or any other rule established by the Camp/Activity may result in Minor's immediate removal from the camp/activity. I waive any claim for refund or any other contract right upon removal.

I recognize that the Releasees do not assume responsibility or liability for - including costs and attorney's fees - any accident or injury or damage resulting from any aspect of participating in the Activity. The Releasees are not liable for any special, incidental, or consequential damages arising out of or in connection with any aspect of participation in the Activity.

This Release contains the entire agreement between the parties hereto and the terms of this Release are contractual and not a mere recital. Releasor further states that s/he has carefully read the foregoing Release and Acknowledgement as his/her own free and voluntary act.

I understand that the University of Oklahoma, from time to time produces promotional material relating to its programs. I understand that as a participant and/or a spectator at the Camp/Activity that Minor may be included in videotapes or photographs taken during the Camp/Activity. Therefore, without reservation or limitations, I, in my own behalf and on behalf of the Minor, hereby assign, transfer and grant to the University of Oklahoma, its successors, assignees, licensees, sponsors, any television networks, and all other commercial exhibitors the exclusive right to photograph and/or videotape the Minor and to utilize such videotapes and photographs and Minor's name, face likeness, voice and appearance as a part of the Camp/Activity, in advertising and promoting the Camp/Activity or in advertising and promoting similar future events at no charge.

I hereby certify that I am the parent and/or guardian of said Minor and that the above and foregoing matter has been fully explained to me and Minor, and I, for and on behalf of said Minor, do hereby release all liability, indemnify and covenant not to sue as set forth in the body of the RELEASE above, with the same force and effect as if executed by me. Further, as parent and/or legal guardian of said Minor, I hereby give consent and authorize said Program, the University of Oklahoma and its agents, representatives and employees to secure emergency medical treatment for said Minor while said Minor is in attendance at said Program conducted by the University of Oklahoma and that I am responsible for any and all costs associated with the transportation and treatment..

**I certify that I have read and understand the Activity rules and have explained said rules to Minor. I understand and agree to notify the Assistant Director Garry Armstrong at 405-325-3053 immediately of any injuries sustained by Minor as a result of the Activity and of any inappropriate behavior experienced by Minor related to the Activity. I also understand and agree that should any issues of sexual misconduct, harassment or assault occur, I will immediately report those to both the Assistant Director Garry Armstrong at 405-325-3053 as well as the University's Sexual Misconduct Officer, Kathleen Smith at 405-325-2215, [www.ou.edu/home/misc.html](http://www.ou.edu/home/misc.html).**

# ***FITNESS + RECREATION***

**I certify and agree that I am to pick-up and drop-off Minor only at the designated places and times. Should I fail to timely pick-up Minor at the designated area, OUPD will be contacted for arrangement of proper care of minor. Failure to timely pick-up Minor may result in his/her immediate withdrawal from the Activity.**

I understand that by signing this document, I give up substantial rights that I or the Minor would otherwise have to recover damages for any loss occasioned by Releasees' fault, and I sign it voluntarily and without inducement.

Date \_\_\_\_\_ Parent/Guardian Signature \_\_\_\_\_

Birth Date: \_\_\_\_\_ Relationship \_\_\_\_\_

\_\_\_\_\_ School/Squad Name \_\_\_\_\_ Releasor's (Minor's) Signature \_\_\_\_\_

Address of Parent and/or Legal Guardian:  
\_\_\_\_\_

City \_\_\_\_\_ State \_\_\_\_\_ Zip \_\_\_\_\_

Home Phone: \_\_\_\_\_ Work Phone: \_\_\_\_\_

Cell Phone: \_\_\_\_\_

Email address: \_\_\_\_\_

Emergency Contact (if parent or guardian cannot be reached) – THIS INFORMATION IS REQUIRED

Contact \_\_\_\_\_

Phone \_\_\_\_\_

20  
13

SOONER



SHOWDOWN

[www.mayb.com](http://www.mayb.com)

Norman, OK

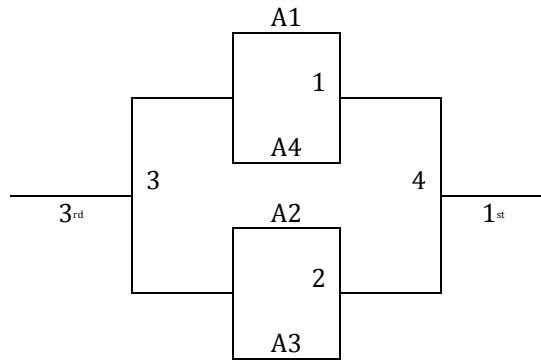
# SOONER STATE SHOWDOWN

Norman, OK  
July 26-28, 2013

## 4<sup>th</sup> Grade Boys

<b>Pool A</b>	<b>W</b>	<b>L</b>
1. Norman Blazers		
2. West OK Wolves		
3. OK Storm		
4. OK Select 2022		

<b>Friday</b>	<b>Huff 1</b>	<b>Huff 2</b>	<b>Huff 4</b>	<b>Huff 5</b>
5:00				
6:00			1-2	
7:00			3-4	
8:00				
9:00				
<b>Saturday</b>	<b>Huff 1</b>	<b>Huff 2</b>	<b>Huff 4</b>	<b>Huff 5</b>
8:00				1-3
9:00				2-4
10:00				
11:00				
12:00				1-4
1:00				2-3
2:00				
3:00				
4:00				
5:00	G1	G2		
6:00				
7:00				
8:00				
9:00				
<b>Sunday</b>	<b>Huff 1</b>	<b>Huff 2</b>	<b>Huff 4</b>	<b>Huff 5</b>
8:00				
9:00				
10:00				G3
11:00				G4
12:00				
1:00				
2:00				
3:00				
4:00				
5:00				
6:00				



All Games Played at the Huston Huffman Center

# SOONER STATE SHOWDOWN

Norman, OK

July 26-28, 2013

## 5-6<sup>th</sup> Grade Boys

<b>Pool A</b>	<b>W</b>	<b>L</b>
1. Oklahoma Wolverines		
2. Norman Wolves		
3. OK Orangeball		
4. OK Force – McGee (5)		
5. Tulsa Wildcats		
6. OK Force – McGee (6)		

### Round Robin Format

<b>Friday</b>	<b>Huff 3</b>	<b>Huff 4</b>
5:00		
6:00		
7:00	1-2	
8:00		
9:00		
<b>Saturday</b>	<b>Huff 3</b>	<b>Huff 4</b>
8:00	4-6	
9:00	2-5	
10:00		1-3
11:00	5-6	
12:00	2-4	
1:00	1-5	3-6
2:00		
3:00	1-4	2-6
4:00		3-5
5:00		
6:00	3-4	
7:00		
8:00		
9:00		
<b>Sunday</b>	<b>Huff 3</b>	<b>Huff 4</b>
8:00		
9:00		
10:00		1-6
11:00		2-3
12:00	4-5	
1:00		
2:00		
3:00		
4:00		
5:00		
6:00		

All Games Played at Huston Huffman Center



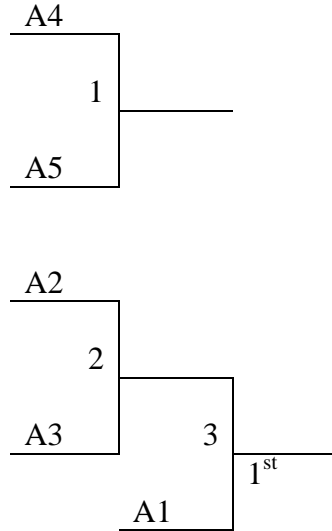
SOONER STATE SHOWDOWN

Norman, OK  
July 26-28, 2013

7<sup>th</sup> Grade Boys

<b>Pool A</b>	<b>W</b>	<b>L</b>
1. Norman Knights		
2. OK Force – Dennis		
3. Elks		
4. On Point Hoops		
5. Fort Worth Ballaz		

<b>Friday</b>	<b>Light 4</b>
5:00	
6:00	
7:00	
8:00	
9:00	
<b>Saturday</b>	<b>Light 4</b>
8:00	
9:00	
10:00	
11:00	
12:00	1-2
1:00	3-4
2:00	1-5
3:00	2-3
4:00	4-5
5:00	1-3
6:00	2-4
7:00	3-5
8:00	1-4
9:00	2-5
<b>Sunday</b>	<b>Light 4</b>
8:00	
9:00	
10:00	
11:00	G2
12:00	G1
1:00	G3
2:00	
3:00	
4:00	
5:00	
6:00	



All Games Played at the Lighthouse

# SOONER STATE SHOWDOWN

Norman, OK  
July 26-28, 2013

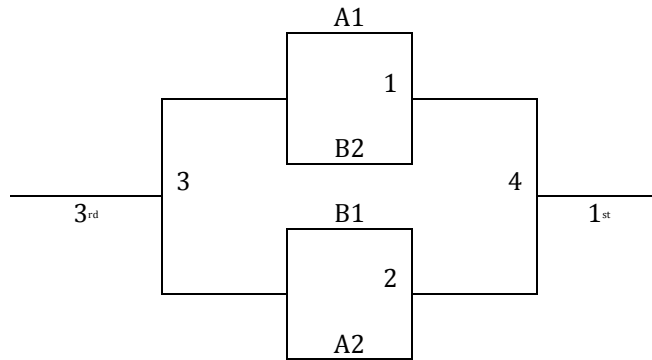
## 8<sup>th</sup> Grade Boys

<b>Pool A</b>	<b>W</b>	<b>L</b>	<b>Pool B</b>		
1. Wizards			6. Mid Kansas		
2. OK Pressure			7. Tulsa Wildcats		
3. OK Force Dennis			8. Canute Trojans		
4. Fort Worth Ballerz			9. OK Force -Scott		
5. Patriots – 8 <sup>th</sup>			10. Xtreme Ballaz		

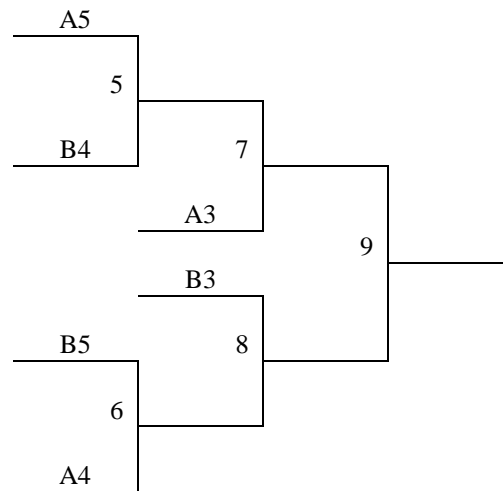
Top 2 Teams in Each Pool to Bracket A, Others to Bracket B

<b>Friday</b>	<b>Light 2</b>	<b>Light 3</b>
5:00		
6:00	1-2	
7:00	3-4	
8:00	1-5	
9:00	2-3	
<b>Saturday</b>	<b>Light 2</b>	<b>Light 3</b>
8:00		6-7
9:00		8-9
10:00		6-10
11:00		7-8
12:00		9-10
1:00		6-8
2:00		7-9
3:00		8-10
4:00	4-5	6-9
5:00	1-3	7-10
6:00		2-4
7:00		3-5
8:00		1-4
9:00		2-5
<b>Sunday</b>	<b>Light 2</b>	<b>Light 3</b>
8:00	G1	G5
9:00	G2	G6
10:00		G7
11:00		G8
12:00		G3
1:00		G4
2:00		G9
3:00		
4:00		
5:00		
6:00		

*A Bracket*



*B Bracket*



All Games Played at the Lighthouse

# SOONER STATE SHOWDOWN

Norman, OK  
July 26-28, 2013

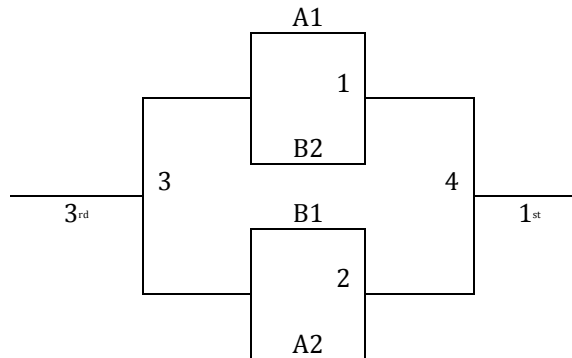
## 9-10<sup>th</sup> Grade Boys

<b>Pool A</b>	<b>W</b>	<b>L</b>	<b>Pool B</b>	<b>W</b>	<b>L</b>
1. River Valley Heat			5. Wompatomps		
2. Road Runner-S			6. KC Magic		
3. Norman Team Elite			7. Arkansas Thunder		
4. KS Legendz			8. Mid Kansas – 9 <sup>th</sup>		

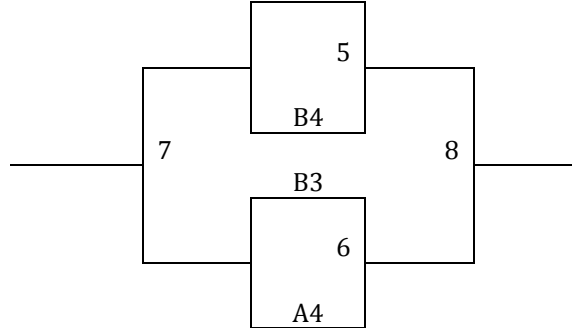
Top 2 Teams in Each Pool to Bracket A, Others to Bracket B

<b>Friday</b>	<b>Light 1</b>	<b>Light 4</b>
5:00		
6:00		
7:00	1-2	
8:00	3-4	
9:00		
<b>Saturday</b>	<b>Light 1</b>	<b>Light 4</b>
8:00	5-6	
9:00	7-8	
10:00	1-3	
11:00	2-4	
12:00	5-7	
1:00	6-8	
2:00	1-4	
3:00		
4:00		
5:00	2-3	
6:00	5-8	
7:00	6-7	
8:00		
9:00		
<b>Sunday</b>	<b>Light 1</b>	<b>Light 4</b>
8:00	G5	
9:00	G6	
10:00	G1	
11:00	G2	
12:00	G7	
1:00	G8	
2:00	G4	G3
3:00		
4:00		
5:00		
6:00		

*A Bracket*



*B Bracket*



All Games Played at the Lighthouse

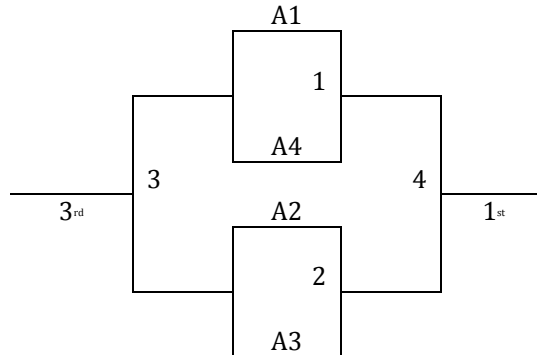
# SOONER STATE SHOWDOWN

Norman, OK  
July 26-28, 2013

11-12<sup>th</sup> Grade Boys

<b>Pool A</b>	<b>W</b>	<b>L</b>
1. Central Texas Starzz		
2. OK Cougars		
3. OKC Rockets		
4. OK Brochos		

<b>Friday</b>	<b>Light 1</b>	<b>Light 2</b>
5:00		
6:00		
7:00		
8:00		
9:00		
<b>Saturday</b>	<b>Light 1</b>	<b>Light 2</b>
8:00		1-2
9:00		3-4
10:00		
11:00		1-4
12:00		2-3
1:00		
2:00		1-3
3:00		2-4
4:00		
5:00		
6:00		
7:00		
8:00	G1	
9:00	G2	
<b>Sunday</b>	<b>Light 1</b>	<b>Light 2</b>
8:00		
9:00		
10:00		G3
11:00		G4
12:00		
1:00		
2:00		
3:00		
4:00		
5:00		
6:00		



All Games Played at the Lighthouse

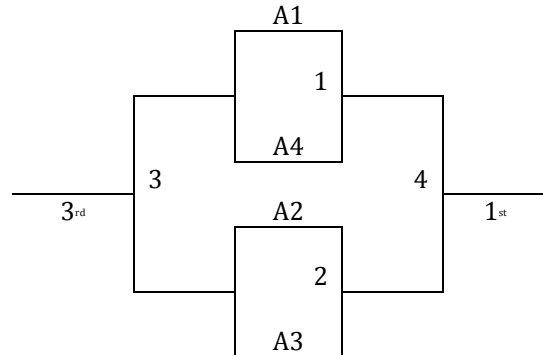
# SOONER STATE SHOWDOWN

Norman, OK  
July 26-28, 2013

## 5<sup>th</sup> Grade Girls

<b>Pool A</b>	<b>W</b>	<b>L</b>
1. #Winning		
2. OK Shock – Scott		
3. Chaos		
4. Synergy		

<b>Friday</b>	<b>Huff 1</b>	<b>Huff 2</b>	<b>Huff 4</b>	<b>Huff 5</b>
5:00				
6:00				
7:00				
8:00			1-2	
9:00			3-4	
<b>Saturday</b>	<b>Huff 1</b>	<b>Huff 2</b>	<b>Huff 4</b>	<b>Huff 5</b>
8:00				
9:00				
10:00				1-3
11:00				2-4
12:00				
1:00				
2:00				
3:00	1-4	2-3		
4:00				
5:00				
6:00				
7:00				
8:00				
9:00				
<b>Sunday</b>	<b>Huff 1</b>	<b>Huff 2</b>	<b>Huff 4</b>	<b>Huff 5</b>
8:00				G1
9:00				G2
10:00				
11:00				
12:00			G4	G3
1:00				
2:00				
3:00				
4:00				
5:00				
6:00				



All Games Played at the Huston Huffman Center

SOONER STATE SHOWDOWN

Norman, OK

July 26-28, 2013

6<sup>th</sup> Grade Girls

<b>Pool A</b>	<b>W</b>	<b>L</b>
1. OK Shock – Joe		
2. Oklahoma Swarm Pride 1		
3. Oklahoma Lightning		
4. Fort Worth Lady Ballerz		
5. Kingfisher Jackets		
6. Chaos		

Round Robin Format

<b>Friday</b>	<b>Huff 3</b>	<b>Huff 4</b>
5:00		
6:00		
7:00		
8:00	1-2	
9:00	3-4	
<b>Saturday</b>	<b>Huff 3</b>	<b>Huff 4</b>
8:00		5-6
9:00		1-3
10:00	2-5	
11:00		4-6
12:00		1-5
1:00		
2:00	2-4	3-6
3:00		
4:00	1-4	
5:00	3-5	2-6
6:00		
7:00		
8:00		
9:00		
<b>Sunday</b>	<b>Huff 3</b>	<b>Huff 4</b>
8:00		1-6
9:00		2-3
10:00	4-5	
11:00		
12:00		
1:00		
2:00		
3:00		
4:00		
5:00		
6:00		

All Games Played at Huston Huffman Center

# SOONER STATE SHOWDOWN

Norman, OK

July 26-28, 2013

7<sup>th</sup> Grade Girls

<b>Pool A</b>	<b>W</b>	<b>L</b>
1. OK Shock – Joe		
2. OKC Ravens		
3. OK Shock – Evan		
4. Jammers 2		
5. Oklahoma/BGC Lady Elite		
6. OK Lady Ice		

Round Robin Format

<b>Friday</b>	<b>Huff 1</b>	<b>Huff 2</b>	<b>Huff 3</b>
5:00			
6:00			
7:00	1-2	3-4	
8:00			
9:00	1-3	2-4	
<b>Saturday</b>	<b>Huff 1</b>	<b>Huff 2</b>	<b>Huff 3</b>
8:00			
9:00			
10:00			
11:00			
12:00			
1:00			
2:00	5-6	1-4	
3:00			
4:00	2-5	3-6	
5:00			
6:00	4-5	2-6	
7:00			
8:00			
9:00			
<b>Sunday</b>	<b>Huff 1</b>	<b>Huff 2</b>	<b>Huff 3</b>
8:00			2-3
9:00			1-5
10:00	4-6		
11:00			3-5
12:00	1-6		
1:00			
2:00			
3:00			
4:00			
5:00			
6:00			

All Games Played at Huston Huffman Center

# SOONER STATE SHOWDOWN

Norman, OK  
July 26-28, 2013

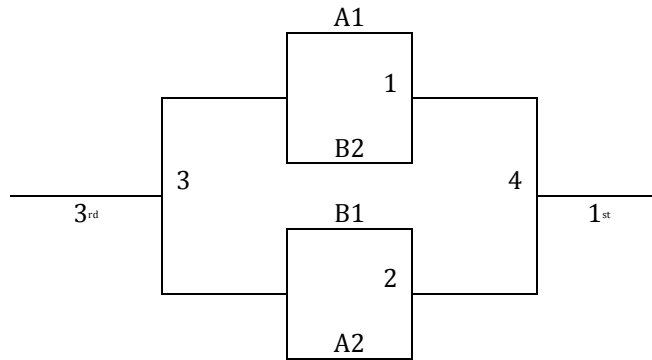
8<sup>th</sup> Grade Girls

<u>Pool A</u>	<u>W</u>	<u>L</u>	<u>Pool B</u>		
1. OK Warriors			6. Oklahoma Outlaws		
2. River Valley Heat			7. OK Shock – Brent		
3. Jammers 1			8. OK Lady Soldiers		
4. Team Impact			9. OK Lady Ice		
5. Oklahoma Focus					

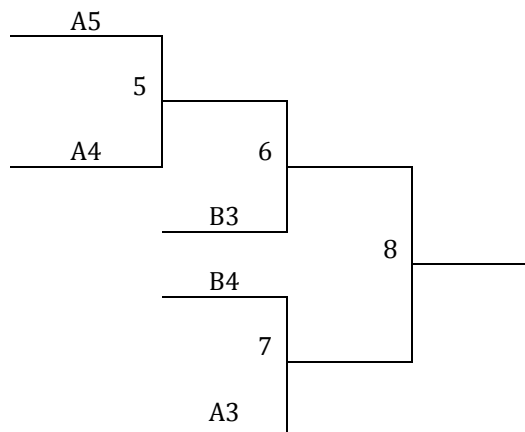
Top 2 Teams in Each Pool to Bracket A, Others to Bracket B

Friday	Huff 1	Huff 2
5:00		
6:00	1-2	3-4
7:00		
8:00	1-5	2-3
9:00		
Saturday	Huff 1	Huff 2
8:00	4-5	1-3
9:00	6-7	8-9
10:00	2-4	3-5
11:00	6-8	7-9
12:00	1-4	2-5
1:00	6-9	7-8
2:00		
3:00		
4:00		
5:00		
6:00		
7:00		
8:00		
9:00		
Sunday	Huff 1	Huff 2
8:00	G1	G5
9:00	G2	G7
10:00		G6
11:00	G3	G4
12:00		G8
1:00		
2:00		
3:00		
4:00		
5:00		
6:00		

*A Bracket*



*B Bracket*



All Games Played at the Huffman Center



SOONER STATE SHOWDOWN

Norman, OK

July 26-28, 2013

High School Girls

<b>Pool A</b>	<b>W</b>	<b>L</b>
1. OK Ballin Babez		
2. Extreme Ballers		
3. River Valley Heat		
4. MTXE		
5. OK Shock – Alyssa		
6. Oklahoma Lightning		

Round Robin Format

<b>Friday</b>	<b>Light 1</b>	<b>Light 2</b>	<b>Light 3</b>
5:00			
6:00			
7:00			
8:00			
9:00	3-4		
<b>Saturday</b>	<b>Light 1</b>	<b>Light 2</b>	<b>Light 3</b>
8:00			
9:00			
10:00		5-6	
11:00			
12:00			
1:00		1-3	
2:00			
3:00	1-2		
4:00	3-6		
5:00			
6:00		2-5	
7:00		4-6	
8:00		1-5	
9:00		2-4	
<b>Sunday</b>	<b>Light 1</b>	<b>Light 2</b>	<b>Light 3</b>
8:00			3-5
9:00			1-4
10:00			2-6
11:00			
12:00	1-6		
1:00	2-3		
2:00	4-5		
3:00			
4:00			
5:00			
6:00			

All Games Played at the Lighthouse

20  
13

SOONER



SHOWDOWN

[www.mayb.com](http://www.mayb.com)

Norman, OK