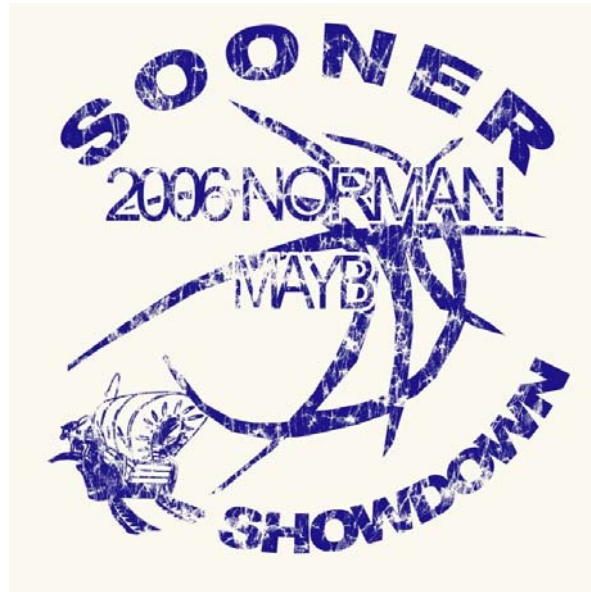


NORMAN, OK
MAYB
JULY 21-23



We want to welcome you to the Mid America Youth Basketball tournament in Norman, OK for July 21-23 weekend. The tournament will be utilizing gymnasiums at Norman High School, Whittier Rec Center in Norman, and Crooked Oak Schools in south Oklahoma City. We hope that you will find the tournament very well organized. The tournament will be staffed with very helpful workers. If you have any questions, please see one of the gym site workers.

Teams finishing first and second in their respective divisions will receive a team award. Teams finishing first, second, and third in their respective divisions will receive individual awards as well. There will be concessions available at most of the gym sites and t-shirts will be on sale. The shirts will be priced at \$12 for one or \$20 for two. The shirts will be grey with the above design on the front.

We hope that your experience this weekend will be a good one and that you will come back to our tournament in the future. We are looking to upgrade facilities for next year's event and we will have everything in the city of Norman in air-conditioned facilities. We look forward to seeing your team participate.

Gate prices are as follows:

Child/Day = \$4.00
Child/Weekend = \$6.00
Adult/Day = \$5.00
Adult/Weekend = \$8.00

Norman MAYB

July 21-23

Gym Master

Friday	NHS	WHIT	CO #1	CO #2
5:00	11-12 G		HS B	
6:00	11-12 G		8 B	
7:00	11-12 G	7-8 G	HS B	
8:00	11-12 G	7-8 G	8 B	
9:00	11-12 G		HS B	
Saturday				
8:00	11-12 G		8 B	
9:00	11-12 G	7-8 G	HS B	7 B
10:00	11-12 G	7-8 G	8 B	8 B
11:00	11-12 G	5-6 G	HS B	7 B
12:00	11-12 G	7-8 G	8 B	8 B
1:00	11-12 G	5-6 G	HS B	7 B
2:00	11-12 G	7-8 G	8 B	8 B
3:00	11-12 G	5-6 G	HS B	7 B
4:00	11-12 G	7-8 G	8 B	8 B
5:00	11-12 G	5-6 G	HS B	7 B
6:00	11-12 G	7-8 G	8 B	7 B
7:00	11-12 G	5-6 G	HS B	8 B
8:00	11-12 G	7-8 G	8 B	8 B
9:00	11-12 G	7-8 G	HS B	
Sunday				
8:00	11-12 G	7 B	HS B	
9:00	11-12 G	7-8 G	8 B	
10:00	11-12 G	7-8 G	HS B	
11:00	11-12 G	7 B	8 B	
12:00	11-12 G	7-8 G	HS B	
1:00	11-12 G	7-8 G	8 B	
2:00	11-12 G	7-8 G	HS B	
3:00	11-12 G	7 B	8 B	
4:00	11-12 G	7 B	HS B	
5:00	11-12 G		8 B	
6:00				

NHS: Norman High School

WHIT: Whittier Rec Center

CO #1: Crooked Oak High School Court 1

CO #2: Crooked Oak High School Court 2

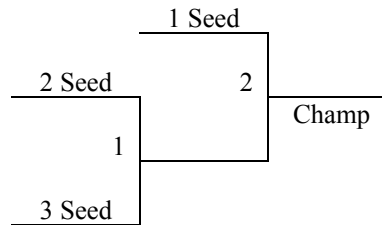
Norman MAYB

July 21-23

5-6th Girls

Pool A	W	L
1. Oklahoma All Stars		
2. Ft. Cobb Lakers		
3. Holdenville Heat All Stars		

Friday	Whit
5:00	
6:00	
7:00	
8:00	
9:00	
Saturday	
8:00	
9:00	
10:00	
11:00	1-2
12:00	
1:00	1-3
2:00	
3:00	2-3
4:00	
5:00	G1
6:00	
7:00	G2
8:00	
9:00	
Sunday	
8:00	
9:00	
10:00	
11:00	
12:00	
1:00	
2:00	
3:00	
4:00	
5:00	
6:00	



Norman MAYB

July 21-23

7-8th Girls

	W	L
1. Wichita Falls Xplosion		
2. Harrah Lady Panthers		
3. Mustang Fury		
4. Oklahoma Hoops		
5. CHA Crusaders		
6. Triple Threat – OK		

Note: This is a round robin tournament. Winners will be based on their overall win/loss record.

Friday	Whit
5:00	
6:00	
7:00	5-6
8:00	2-3
9:00	
Saturday	
8:00	
9:00	4-5
10:00	2-6
11:00	
12:00	1-2
1:00	
2:00	1-6
3:00	
4:00	2-4
5:00	
6:00	3-5
7:00	
8:00	1-5
9:00	3-4
Sunday	
8:00	
9:00	1-3
10:00	4-6
11:00	
12:00	1-4
1:00	2-5
2:00	3-6
3:00	
4:00	
5:00	
6:00	

Norman MAYB

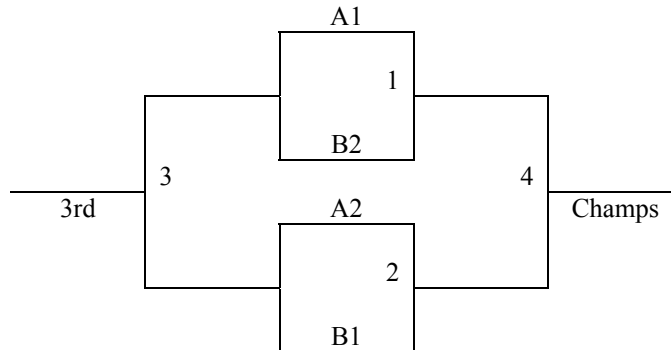
July 21-23

High School Girls

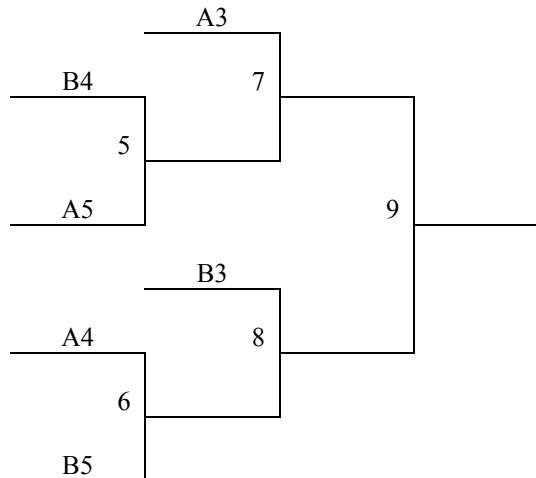
Pool A	W	L	Pool B	W	L
1. Edmond Jets			6. Lady Jackets OK		
2. OK Ladies First			7. Oklahoma Lady Ice		
3. Ft. Gibson Lady Tigers			8. Harrah OK		
4. Southwest Huskies			9. SW Lady Dawgs		
5. Community Christian			10. Edmond Lady Rockets		

Friday	NHS
5:00	3-4
6:00	7-8
7:00	3-5
8:00	8-10
9:00	1-4
Saturday	
8:00	7-9
9:00	6-10
10:00	1-2
11:00	4-5
12:00	8-9
1:00	6-9
2:00	2-5
3:00	1-3
4:00	2-4
5:00	1-5
6:00	2-3
7:00	6-7
8:00	9-10
9:00	6-8
Sunday	
8:00	7-10
9:00	G5
10:00	G6
11:00	G1
12:00	G2
1:00	G7
2:00	G8
3:00	G4
4:00	G3
5:00	G9
6:00	

A Bracket



B Bracket



Norman MAYB

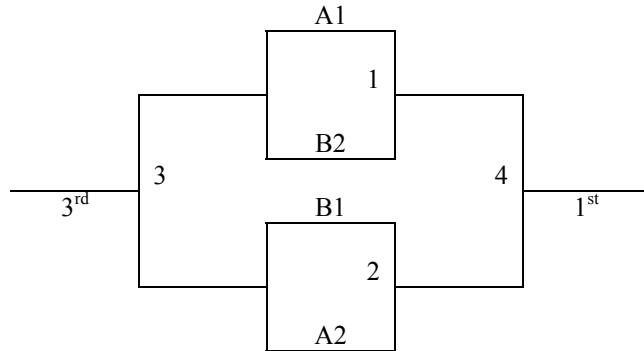
July 21-23

8th Boys

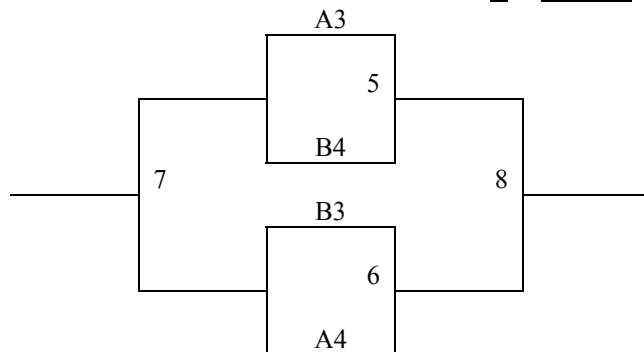
Pool A	W	L	Pool B	W	L
1. Runnin Rebels OK			5. Wichita Showtyme		
2. Oklahoma Canes			6. Concho Natives		
3. Norman Hoopsters			7. Dallas Magic		
4. Oklahoma Heat			8. True Skills - OK		

Friday	CO 1	CO 2
5:00		
6:00	6-8	
7:00		
8:00	1-2	
9:00		
Saturday		
8:00	3-4	
9:00		
10:00	5-7	2-4
11:00		
12:00	1-3	7-8
1:00		
2:00	5-6	1-4
3:00		
4:00	2-3	5-8
5:00		
6:00	6-7	
7:00		G5
8:00	G1	G6
9:00		
Sunday		
8:00		
9:00	G2	
10:00		
11:00	G7	
12:00		
1:00	G3	
2:00		
3:00	G4	
4:00		
5:00	G8	
6:00		

A Bracket



B Bracket



Norman MAYB

July 21-23

HS Boys

Pool A	W	L
1. OK Warriors		
2. OK Servants		
3. T Savages		
4. Norman OK Nuggets		
5. Konawa Tigers		
6. Bowlegs Bison		

Note: This is a round robin tournament. Winners will be based on their overall win/loss record.

Friday	CO 1
5:00	2-4
6:00	
7:00	3-6
8:00	
9:00	1-2
Saturday	
8:00	
9:00	1-3
10:00	
11:00	4-6
12:00	
1:00	3-5
2:00	
3:00	1-6
4:00	
5:00	4-5
6:00	
7:00	2-3
8:00	
9:00	1-5
Sunday	
8:00	2-6
9:00	
10:00	1-4
11:00	
12:00	2-5
1:00	
2:00	5-6
3:00	
4:00	3-4
5:00	
6:00	

Norman MAYB

July 21-23

Gym Addresses and Directions

Norman High School

911 W. Main

Norman, OK 73069

From I-35

- 1) Take the MAIN ST exit- EXIT 109 - .1 miles
- 2) Merge onto W MAIN ST via the exit on the LEFT toward downtown – 2.1 miles

Whittier Rec Center

2000 W. Brooks

Norman, OK 73069

From I-35

- 1) Take the OK-74-ALT / OK-9 E / LINDSEY ST exit- EXIT 108A-B- toward UNIV. OF OKLA. / TECUMSEH - .1 miles
- 2) Take the OK-74-ALT / LINDSEY ST exit- EXIT 108B - .2 miles
- 3) Turn LEFT onto 24TH AVE SW - .2 miles
- 4) Turn RIGHT onto W BROOKS ST - .3 miles

Crooked Oak High School

1901 SE 15th

Oklahoma City, OK 73129

From I-35:

- 1) Take the SE 15th Street Exit 125 B - .3 miles
- 2) Turn right on SE 15th Street - .5 miles

Note: Norman High School is air-conditioned. The Crooked Oak and Whittier Rec gyms are not. There will be large fans in each un-air conditioned gym.